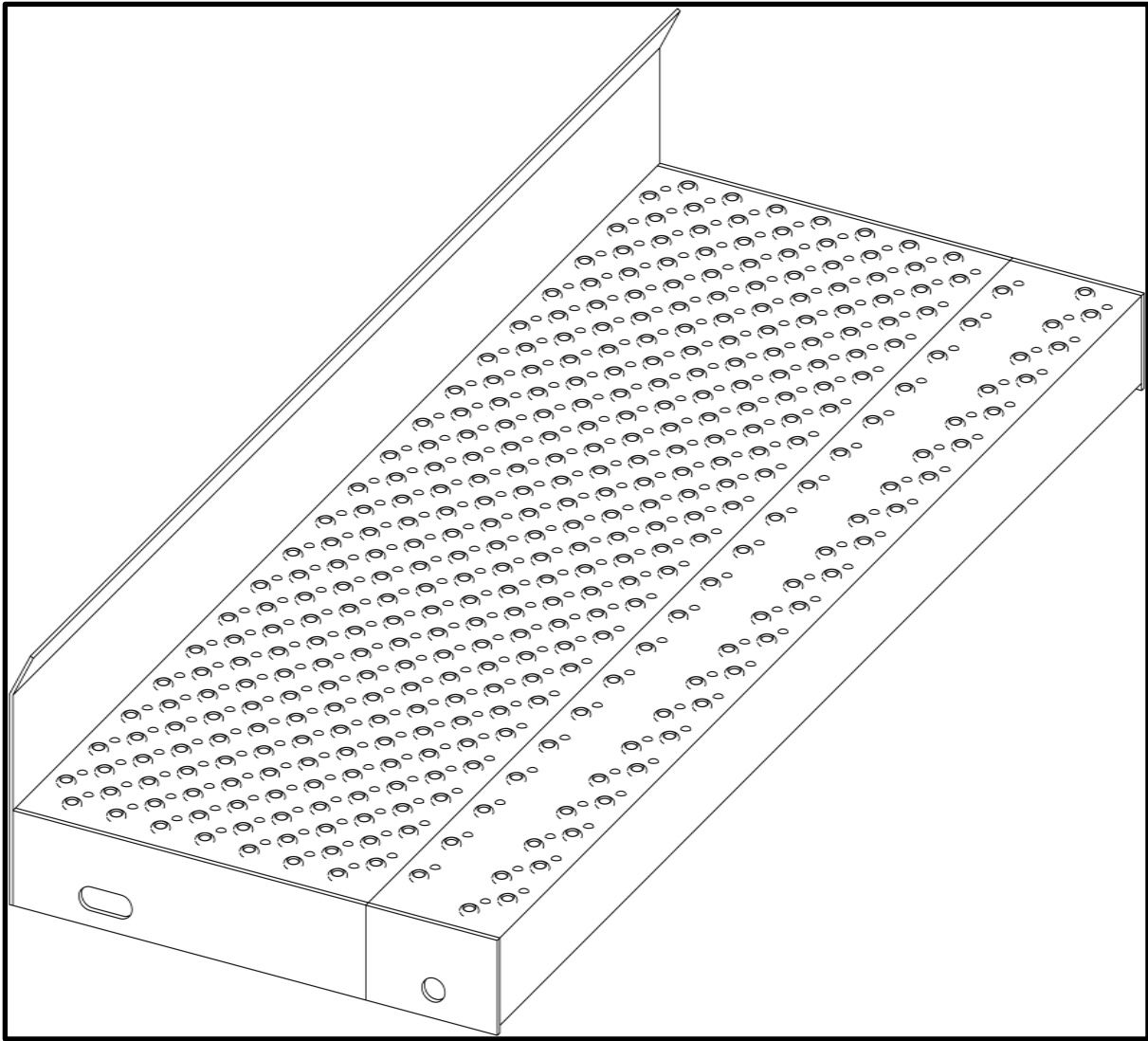


Type O5-M Bespoke Stair Tread

Design Parameters



Galvanised O5-M Perforated Stair Treads

2mm thick Galvanised Steel to BS EN 1461:2009

5mm dia raised hole, 5mm dia depressed hole (PTV79)

Loading designed in accordance with BS EN 1991-1-1: 2002

Lengths	Height	Depth	Depth	Depth
mm	mm	275	300	325
Available with or without a riser & removable nosing				
500 - 1550	55	●	●	●
1550 - 1850	65	●	●	●

Type O5-M Bespoke Stair Tread

Design Parameters

