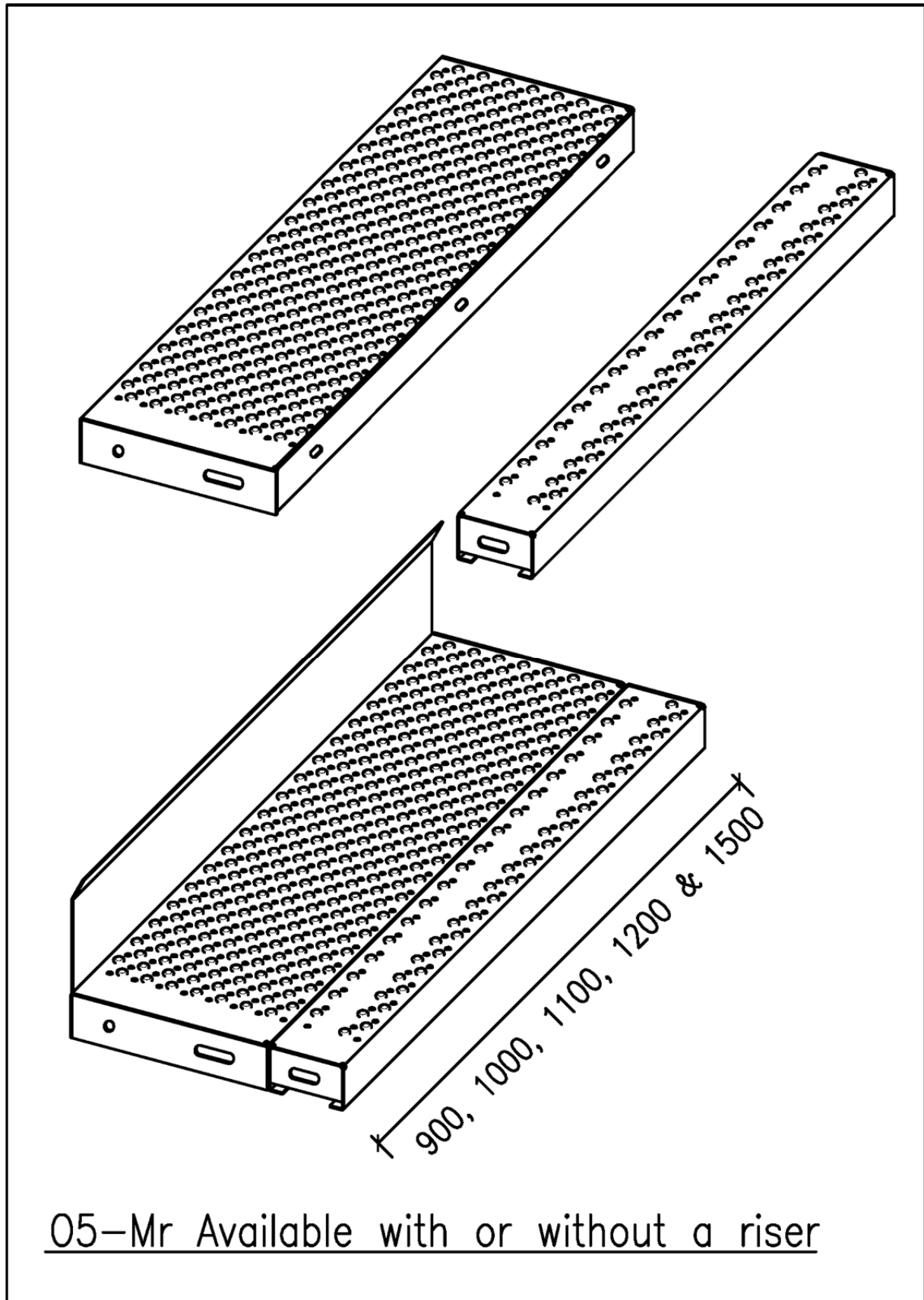
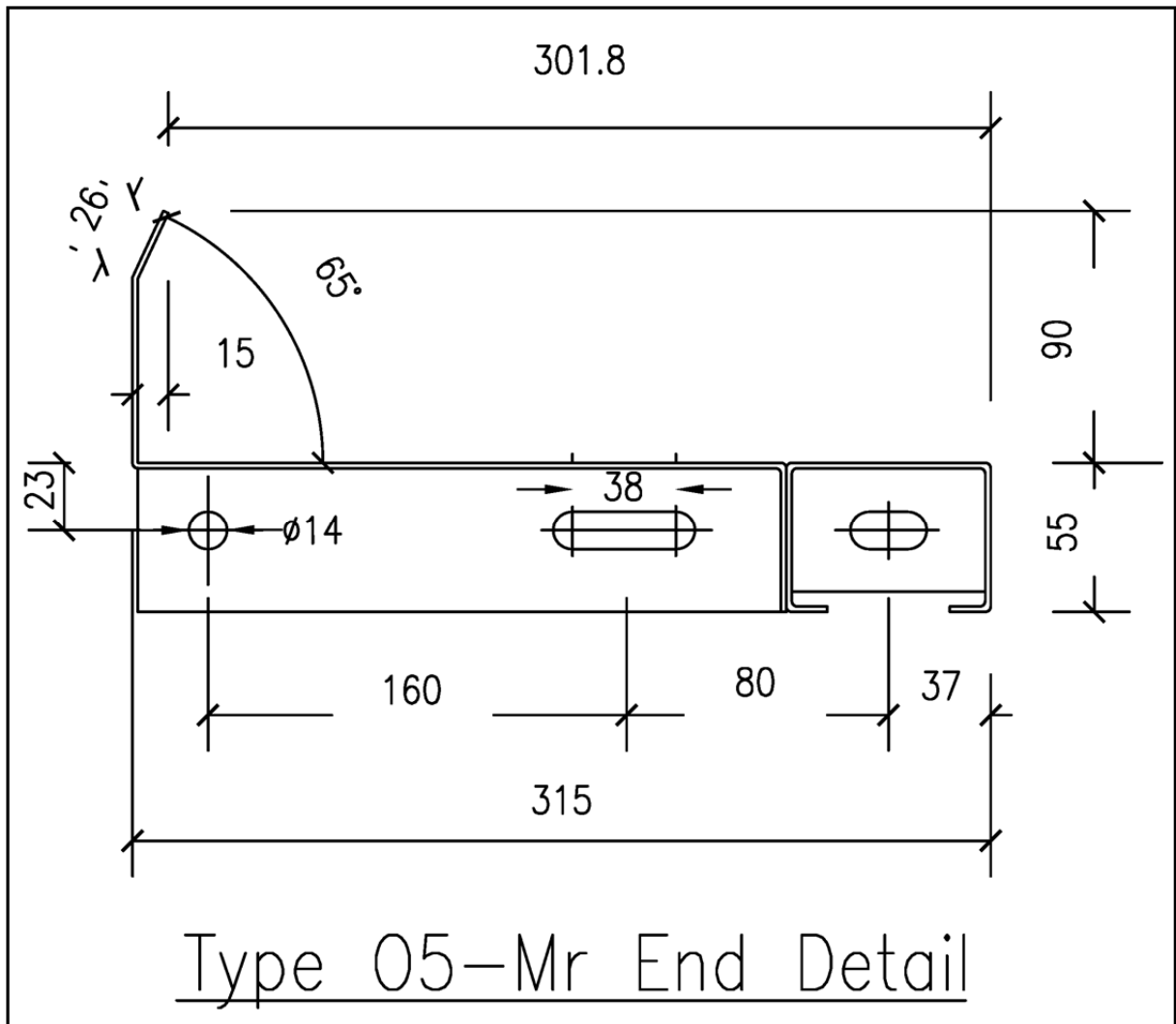


# Type O5-MR Stair Treads

## Stock List



**Type O5-MR Stair Treads**  
Stock List



<b>Galvanised O5-Mr Perforated Stair Treads</b>			
<b>2mm thick Galvanised Steel to BS EN 1461:2009</b>			
<b>5mm dia raised hole, 5mm dia depressed hole (PTV79)</b>			
<b>Loading designed in accordance with BS EN 1991-1-1: 2002</b>			
<b>Length</b>	<b>Height</b>	<b>Depth</b>	<b>Depth</b>
		<b>315</b>	<b>315</b>
<b>mm</b>	<b>mm</b>	<b>With Riser</b>	<b>Without Riser</b>
<b>900</b>	<b>55</b>	●	●
<b>1000</b>	<b>55</b>	●	●
<b>1100</b>	<b>55</b>	●	●
<b>1200</b>	<b>55</b>	●	●
<b>1500</b>	<b>55</b>	●	●