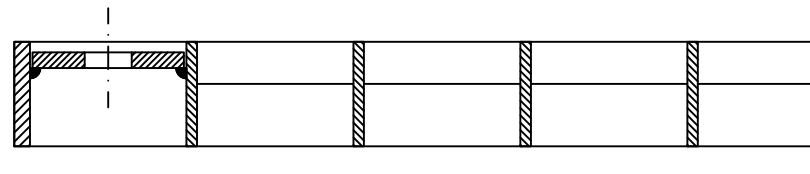
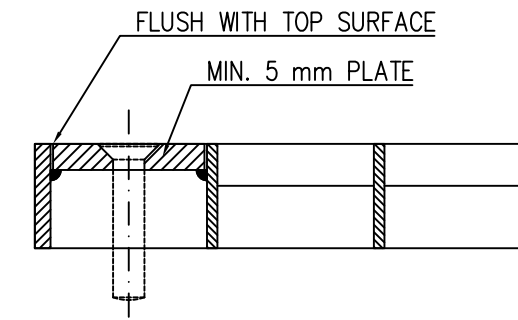


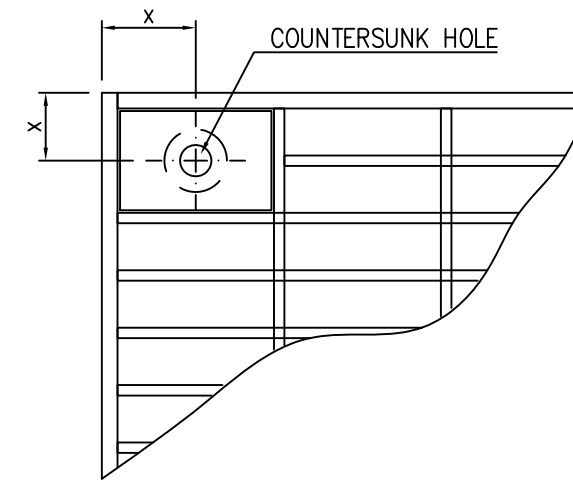
WELDED FIXING PLATE IN BOTTOM OF GRATING (TYPE A)



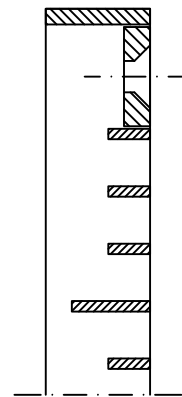
WELDED FIXING PLATE SET DOWN FROM TOP OF GRATING (TYPE B)



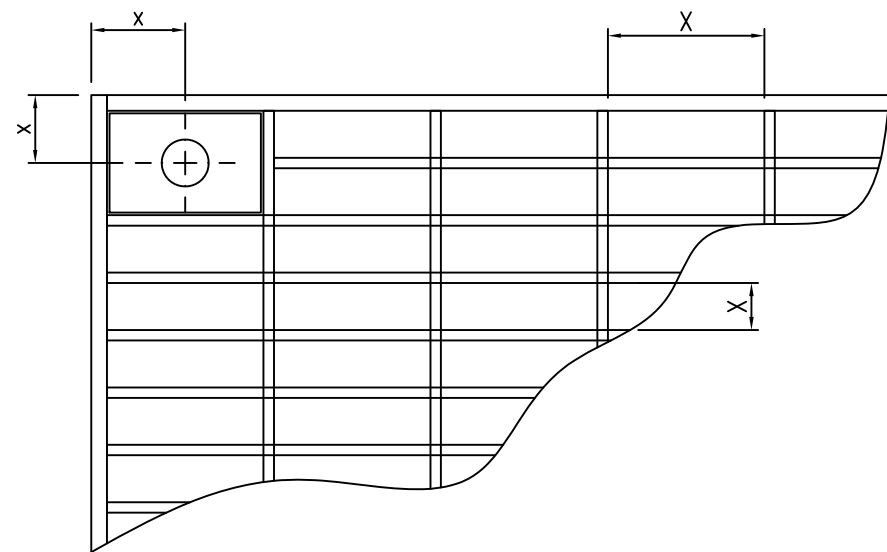
WELDED FIXING PLATE IN TOP OF GRATING (TYPE C)



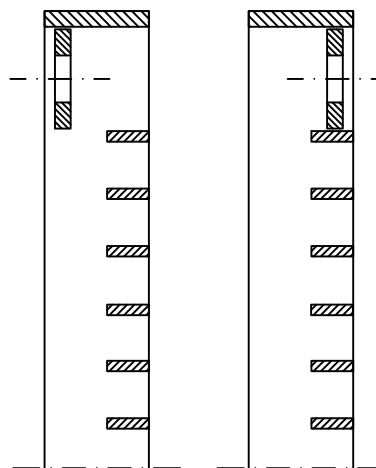
TYPICAL DETAIL OF WELDED FIXING PLATE TYPE C



TYPE C



TYPICAL DETAIL OF WELDED FIXING PLATE TYPE A & B



TYPE A

TYPE B

Reference drawing 15/06/09



Elephant Gratings Ltd  
 Unit 9 Invicta Business Park  
 London Road  
 Wrotham  
 Kent TN15 7RJ  
 Tel: 01732 884 123  
 Fax: 01732 885 962  
 email: sales@elefantgratings.com

Project:

Customer :

Contract No:

Constr.:		
Drw.:	MJ	16/06/09
Appr.:		

Drawing No.

Mesh details

Rev.: 00